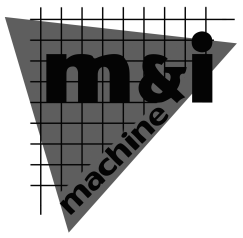
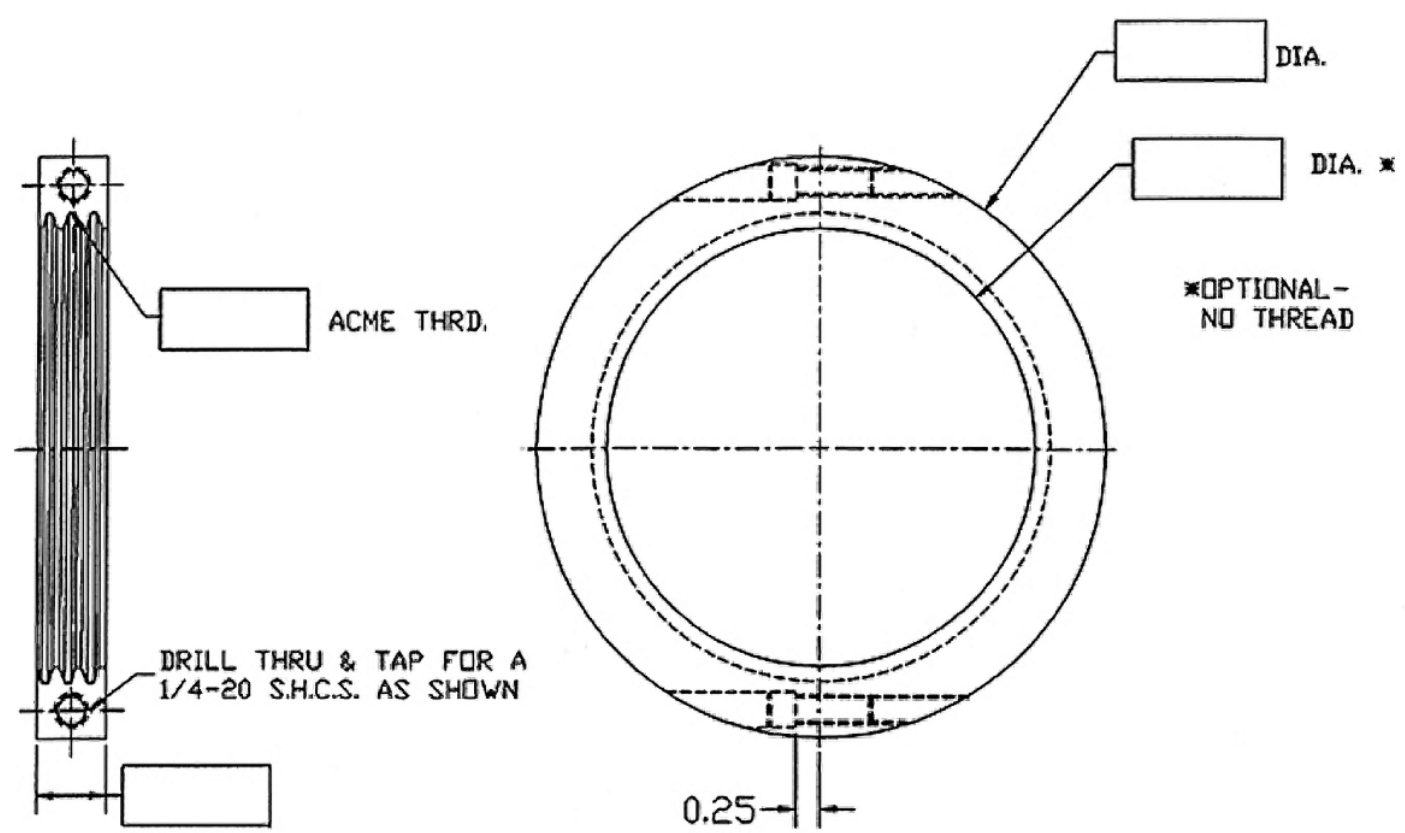


SPLIT RING



Phone: 269.849.3624
FAX: 269.849.3626

MACHINE INFORMATION	
NAME:	
MODEL:	
TONNAGE:	
PO BOX 1243 BENTON HARBOR, MI 49023	

MATERIAL SPECIFICATION
<input type="checkbox"/> H-13 STEEL Heat Treated Only
<input type="checkbox"/> H-13 STEEL Heat Treated & Nitrided

QUANTITY
NAME:
COMPANY:
ADDRESS:
CITY:
PHONE:

PO#
STATE:
ZIP:
FAX: